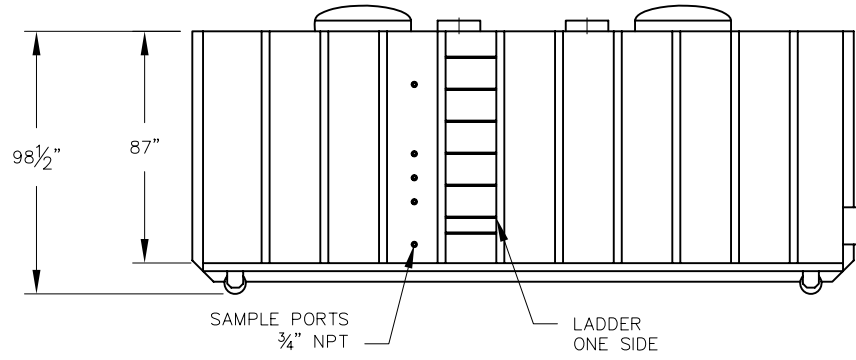
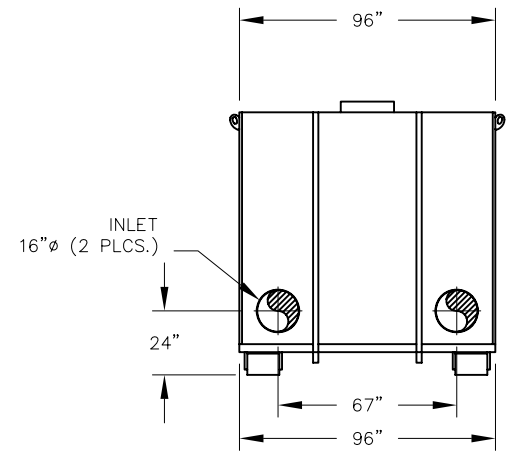


TOP VIEW



SIDE VIEW



END VIEW


NOTES: TIGG CORPORATION RESERVES THE RIGHT TO CHANGE ANY AND ALL DIMENSIONS- AND DESIGNS OVERALL OUT TO OUT DIMENSIONS AND INLET/OUTLET LOCATIONS ARE FIXED.

CONTAMINATED AIR SHALL ENTER UNIT THROUGH BOTH INLETS AND MUST EXIT USING BOTH OUTLETS.

* COATED STEEL SUPPORT STRUCTURE W/ S.S. BED RETENTION SCREEN.

VESSEL STANDARDS

VESSEL MATERIALS : CARBON STEEL	ADSORBENT OUTLET ASSEMBLY : 36"Ø HINGED MANWAY
LINING : HIGH SOLIDS EPOXY	BED VOLUME STD/MAX : 470 FT ³ / 640 FT ³
EXTERIOR PAINT : HIGH SOLIDS EPOXY W/ URETHANE TOP COAT	SHIP WT. EMPTY : 10,000 LBS
WALL THICKNESS : 12 GAUGE STD.	CARBON TYPE : TIGG 5CP - 4MM VAPOR PHASE
FLOOR THICKNESS : 3/16" STD.	MAX. OPERATING PRESSURE : 1 PSIG
INTERNALS : PLENUM	MAX. OPERATING TEMP. : * 180°F *

NO.	REVISION	BY	DATE
PROJECT			
PROJ. NO.	PLANT STANDARDS		
P.O. NO.	<small>THIS DRAWING AND DESIGN ARE THE PROPERTY OF TIGG CORP. AND SHALL NOT BE REPRODUCED IN WHOLE OR IN PART, NOR EMPLOYED FOR ANY PURPOSE OTHER THAN SPECIFICALLY PERMITTED IN WRITING BY TIGG CORP. THIS DRAWING LOANED SUBJECT TO RETURN ON DEMAND.</small>		
DRAWN BY	JB	NB-12	
DESIGN BY	BB		
CHKD. BY	BB	DWG. NO. NB-12-1001	
DATE	10/13/08		
SCALE	NTS	REV.	0