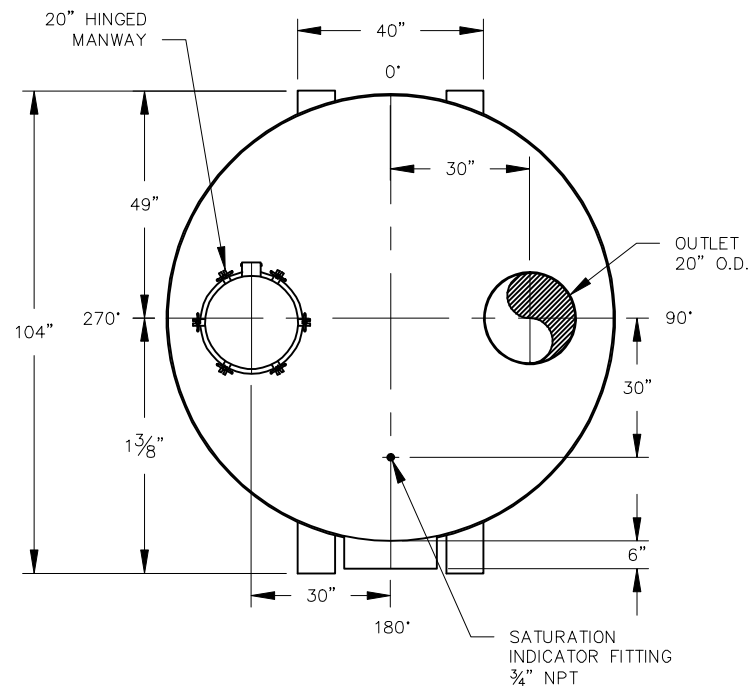


ELEVATION



PLAN

\* STAINLESS STEEL BED RETENTION  
PLATE,  
140°F WITH PE PLATE

## VESSEL STANDARDS

VESSEL MATERIALS : SA-36	VESSEL ACCESS : 20" HINGED MANWAY
LINING : HIGH SOLIDS EPOXY	LIQUID DRAIN ASSEMBLY : 1" NPT W/ HDPE PLUG
EXTERIOR PAINT : ACRYLIC ALKYD ENAMEL	MAX. MEDIA FILL : 275 FT <sup>3</sup>
HEAD THICKNESS : 1/4" NOM.	SHIP WT. EMPTY : 3100 LBS
SHELL THICKNESS : 1/4" NOM.	MAX. OPERATING PRESSURE : 15 PSIG
INTERNALS : STAINLESS STEEL PLENUM	MAX. OPERATING TEMPERATURE : 180°F

NO.	REVISION	BY	DATE
PROJECT		N-5000-PDB	
PROJ. NO.	SALES		
P.O. NO.			
THIS DRAWING AND DESIGN ARE THE PROPERTY OF TIGG CORP. AND SHALL NOT BE REPRODUCED IN WHOLE OR IN PART OR EMPLOYED FOR ANY PURPOSE OTHER THAN SPECIFICALLY PERMITTED IN WRITING BY TIGG CORP. THIS DRAWING LOANED SUBJECT TO RETURN ON DEMAND.			
DRAWN BY	JB		
DESIGN BY	BB		
CHKD. BY	BB		
DATE	2/23/06		
SCALE	NTS		
		PLAN & ELEVATION	
		N-5000-PDB-1001	REV. 0



PLAN & ELEVATION

N-5000-PDB-1001

REV. 0