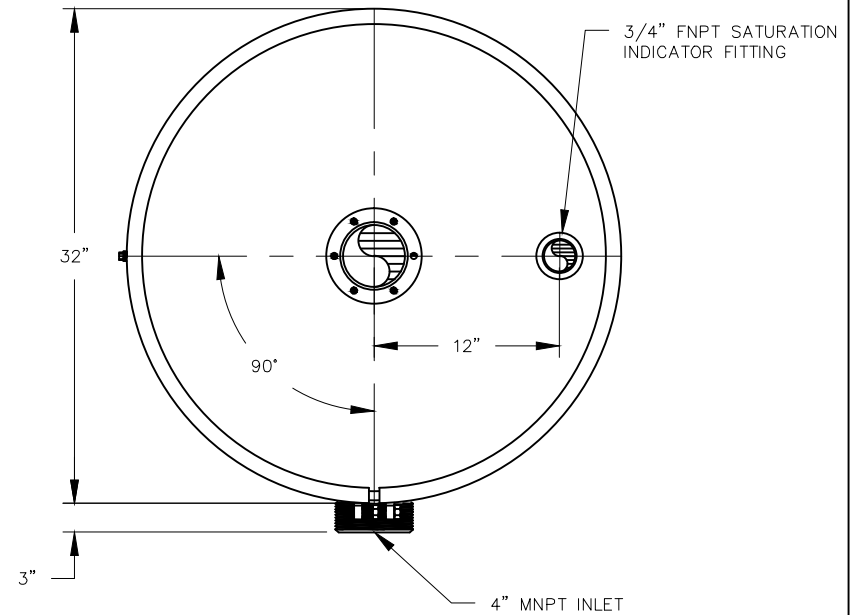



ELEVATION



PLAN

## VESSEL STANDARDS

VESEL MATERIALS : CARBON STEEL	APPROXIMATE VOLUME OF VESSEL : 16 FT <sup>3</sup>
LINING : EPOXY PHENOLIC	STANDARD CARBON FILL : 400 LBS
EXTERIOR PAINT : ACRYLIC ALKYD ENAMEL	SHIP WEIGHT : 530 LBS
INTERNALS : SCHEDULE 80 PVC	CARBON TYPE : TIGG 5C 0410 VAPOR PHASE
ADSORBENT OUTLET ASSEMBLY : REMOVABLE COVER	MAXIMUM OPERATING PRESSURE : 6 PSIG
CONDENSATE DRAIN ASSEMBLY : 1/2" PLUG WITH SCREEN	MAX. OPERATING TEMPERATURE : 130°F

3	TN00002	JB	9/9/03
NO.	REVISION	BY	DATE
PROJECT		 <b>TIGG</b> corporation	
PROJ. NO. SALES			
P.O. NO.			
<small>THIS DRAWING AND DESIGN ARE THE PROPERTY OF TIGG CORP. AND SHALL NOT BE REPRODUCED IN WHOLE OR IN PART NOR EMPLOYED FOR ANY PURPOSE OTHER THAN SPECIFICALLY PERMITTED IN WRITING BY TIGG CORP. THIS DRAWING LOANED SUBJECT TO RETURN ON DEMAND.</small>			
DRAWN BY	ZS	N-250 DWG. NO. N-250-1001 REV. 3	
DESIGN BY	BB		
CHKD. BY	BB		
DATE	7/3/00		
SCALE	NTS		