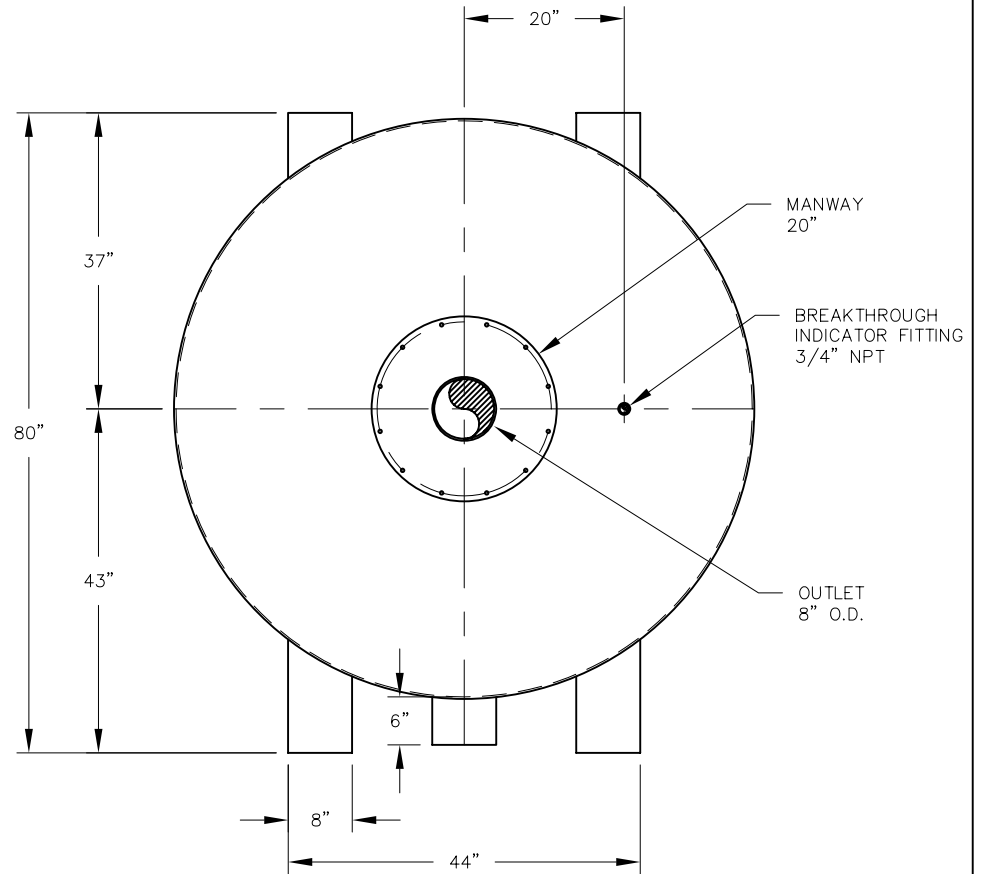


ELEVATION



PLAN

VESSEL STANDARDS

VESEL MATERIALS : A36 CARBON STEEL	LIQUID DRAIN ASSEMBLY : 1" HDPE PLUG
LINING : MULTI-PURPOSE EPOXY	VOLUME OF VESSEL : 120 FT ³
EXTERIOR PAINT : ACRYLIC ALKYD ENAMEL	STANDARD CARBON FILL : 3000 LBS
HEAD THICKNESS : 3/16"	EMPTY WT. : 1700 LBS
SHELL THICKNESS : 10 GA. STEEL	CARBON TYPE : VAPOR PHASE 4 X 10
INTERNALS : PLENUM	MAX. OPERATING PRESSURE : 1 PSIG
ADSORBENT OUTLET ASSEMBLY : 20" BOLTED MANWAY	MAX. OPERATING TEMP. : 140°F

1	REVISE VESSEL STANDARDS	JB	7/26/07
NO.	REVISION	BY	DATE

PROJECT

EV-3000

PROJ. NO. SALES

P.O. NO.

THIS DRAWING AND DESIGN ARE THE PROPERTY OF TIGG CORP. AND SHALL NOT BE REPRODUCED IN WHOLE OR IN PART, NOR EMPLOYED FOR ANY PURPOSE OTHER THAN SPECIFICALLY PERMITTED IN WRITING BY TIGG CORP. THIS DRAWING LOANED SUBJECT TO RETURN ON DEMAND.

DRAWN BY JB

DESIGN BY BB

CHKD. BY BB

DATE 1/9/07

SCALE NTS



PLAN & ELEVATION

DWG. NO. EV-3000-1001 REV. 1