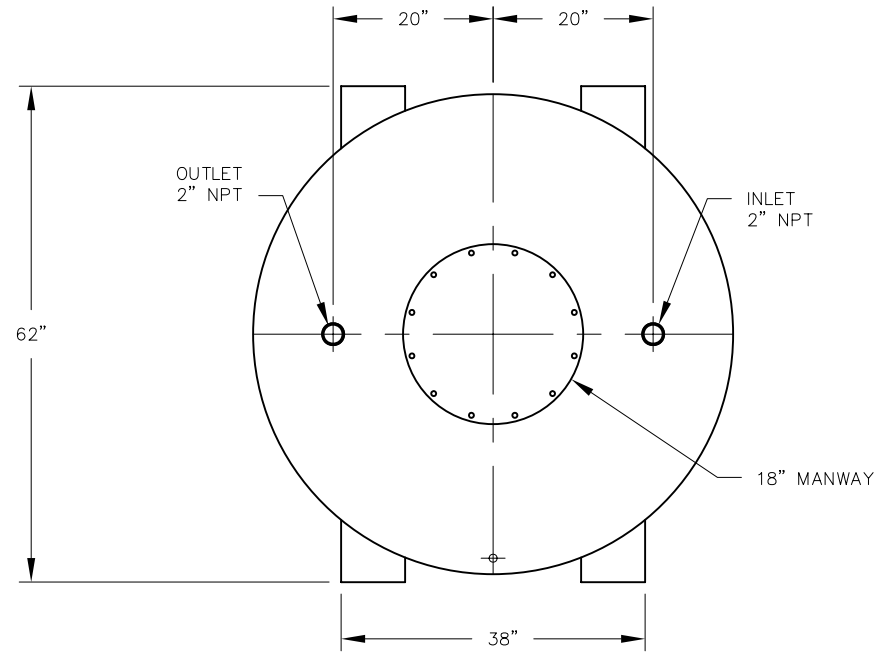


ELEVATION



PLAN

NOTE:

EMPTY VESSEL WEIGHT – 1125 LBS
 MAX. MEDIA FILL – 120 FT³
 MAX. PRESSURE – 12 PSIG

2	REVISE TOP HEAD	JB	9/30/08
1	REVISE FORK TUBES	JB	6/7/07
NO.	REVISION	BY	DATE
PROJECT		ELP-3000	
PROJ. NO.	SALES		
P.O. NO.			
<small>THIS DRAWING AND DESIGN ARE THE PROPERTY OF TIGG CORP. AND SHALL NOT BE REPRODUCED IN WHOLE OR IN PART, NOR EMPLOYED FOR ANY PURPOSE OTHER THAN SPECIFICALLY PERMITTED IN WRITING BY TIGG CORP. THIS DRAWING LOANED SUBJECT TO RETURN ON DEMAND.</small>			
DRAWN BY	JB		
DESIGN BY	BB		
CHKD. BY	BB		
DATE	9/2/05	DWG. NO.	ELP-3000-1001
SCALE	NTS	REV.	2



PLAN & ELEVATION