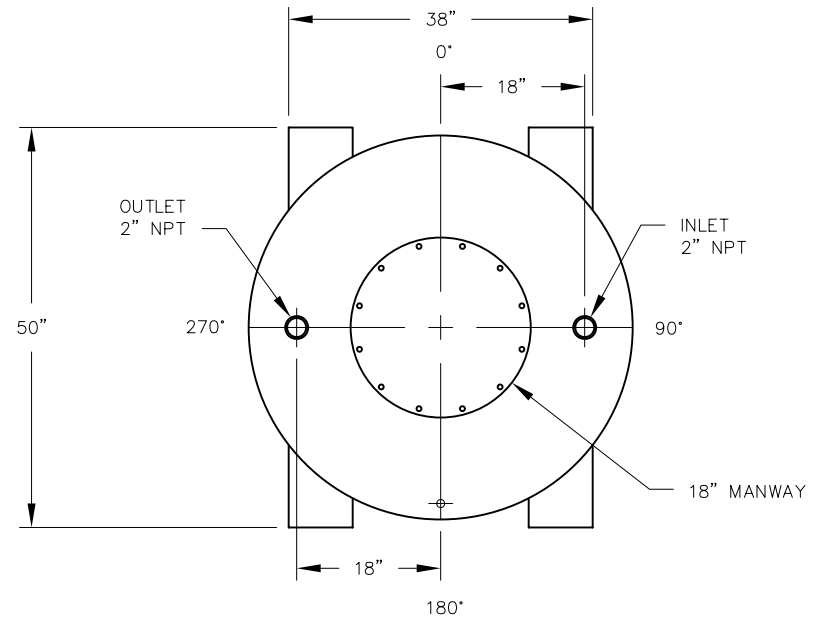



ELEVATION



PLAN

NOTE:

EMPTY VESSEL WEIGHT - 830 LBS
 MAX. MEDIA FILL - 75 FT³
 MAX. PRESSURE - 12 PSIG

2	REVISE TOP HEAD	JB	9/30/08
1	REVISE FORK TUBES	JB	6/7/07
NO.	REVISION	BY	DATE
PROJECT		ELP-2000	
PROJ. NO.		SALES	
P.O. NO.			
<small>THIS DRAWING AND DESIGN ARE THE PROPERTY OF TIGG CORP. AND SHALL NOT BE REPRODUCED IN WHOLE OR IN PART, NOR EMPLOYED FOR ANY PURPOSE OTHER THAN SPECIFICALLY PERMITTED IN WRITING BY TIGG CORP. THIS DRAWING LOANED SUBJECT TO RETURN ON DEMAND.</small>			
DRAWN BY		JB	
DESIGN BY		BB	
CHKD. BY		BB	
DATE		9/2/05	
SCALE		NTS	
			
		PLAN & ELEVATION	
DWG. NO.		ELP-2000-1001	
		REV. 2	