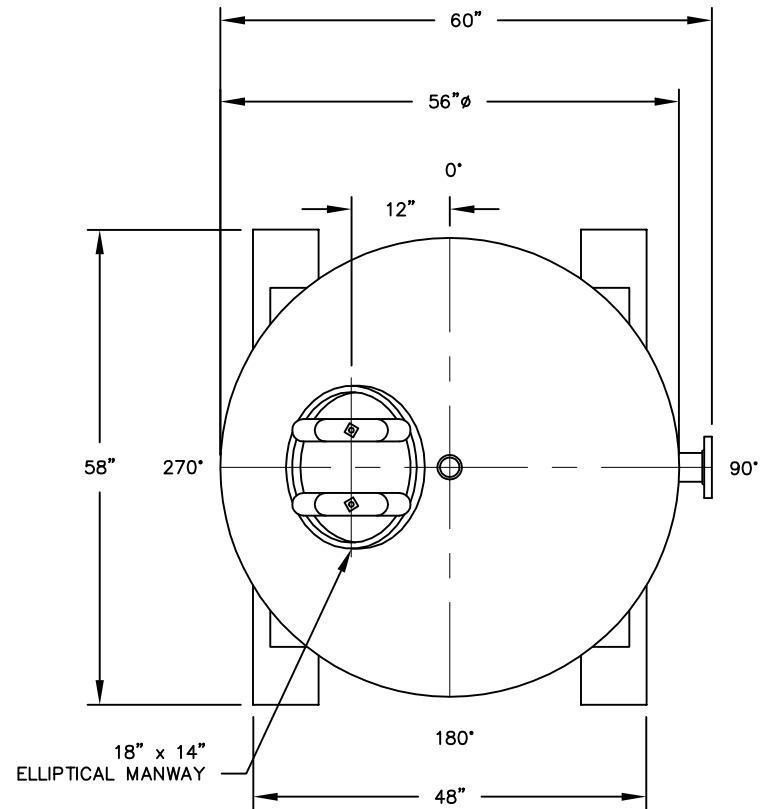


ELEVATION



PLAN

VESSEL STANDARDS

VESSEL MATERIALS : 516-70 CARBON STEEL	VESSEL ACCESS : 18" X 14" ELLIPTICAL MANWAY
LINING : EPOXY	MAX. MEDIA FILL : 94 FT. ³
EXTERIOR PAINT : EPOXY BASE W/ URETHANE TOP COAT	TOTAL VOLUME OF VESSEL : 105 FT. ³
HEAD THICKNESS : 1/4" ASME CODE F & D	EMPTY WT. : 1550 LBS
SHELL THICKNESS : 1/4"	MAX. OPERATING PRESSURE : 75 PSIG
INTERNALS : PVC PIPE	MAX. OPERATING TEMP. : 130°F

2	FLANGED NOZZLES & INCREASE DIA. TO 58"	JB	4/24/09
1	REMOVE HANDHOLE	JB	8/21/07
NO.	REVISION	BY	DATE

PROJECT

CP-2000

PROJ. NO. SALES

P.O. NO.

THIS DRAWING AND DESIGN ARE THE PROPERTY OF TIGG CORP. AND SHALL NOT BE REPRODUCED IN WHOLE OR IN PART, NOR EMPLOYED FOR ANY PURPOSE OTHER THAN SPECIFICALLY PERMITTED IN WRITING BY TIGG CORP. THIS DRAWING LOANED SUBJECT TO RETURN ON DEMAND.

DRAWN BY JB

DESIGN BY BB

CHKD. BY BB

DATE 11/18/05

SCALE NTS



PLAN &
ELEVATION

DWG. NO. CP-2000-1001 REV. 2