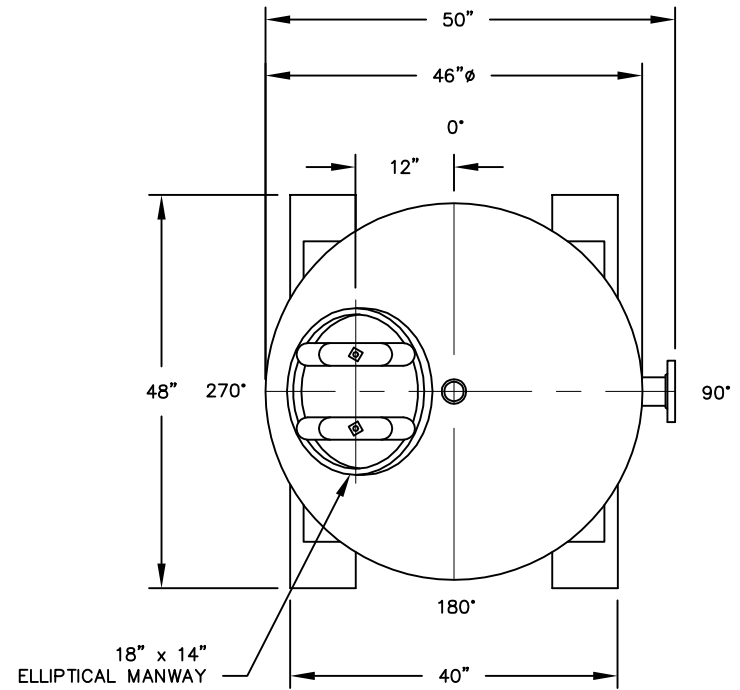


ELEVATION



PLAN

## VESSEL STANDARDS

VESSEL MATERIALS : 516-70 CARBON STEEL	VESSEL ACCESS : 18" X 14" ELLIPTICAL MANWAY
LINING : EPOXY	MAX. MEDIA FILL : 60 FT. <sup>3</sup>
EXTERIOR PAINT : EPOXY BASE W/ URETHANE TOP COAT	TOTAL VOLUME OF VESSEL : 69.5 FT. <sup>3</sup>
HEAD THICKNESS : 3/16" ASME CODE F & D	EMPTY WT. : 1200 LBS
SHELL THICKNESS : 3/16"	MAX. OPERATING PRESSURE : 75 PSIG
INTERNALS : PVC PIPE	MAX. OPERATING TEMP. : 130°F

2	FLANGED NOZZLES	JB	4/24/09
1	REMOVE HANDHOLE	JB	8/10/07
NO.	REVISION	BY	DATE

PROJECT

CP-1000

PROJ. NO. SALES  
P.O. NO.

THIS DRAWING AND DESIGN ARE THE PROPERTY OF TIGG CORP. AND SHALL NOT BE REPRODUCED IN WHOLE OR IN PART, NOR EMPLOYED FOR ANY PURPOSE OTHER THAN SPECIFICALLY PERMITTED IN WRITING BY TIGG CORP. THIS DRAWING LOANED SUBJECT TO RETURN ON DEMAND.

DRAWN BY JB  
DESIGN BY BB  
CHKD. BY BB  
DATE 11/19/05  
SCALE NTS



PLAN & ELEVATION

DWG. NO. CP-1000-1001 REV. 2