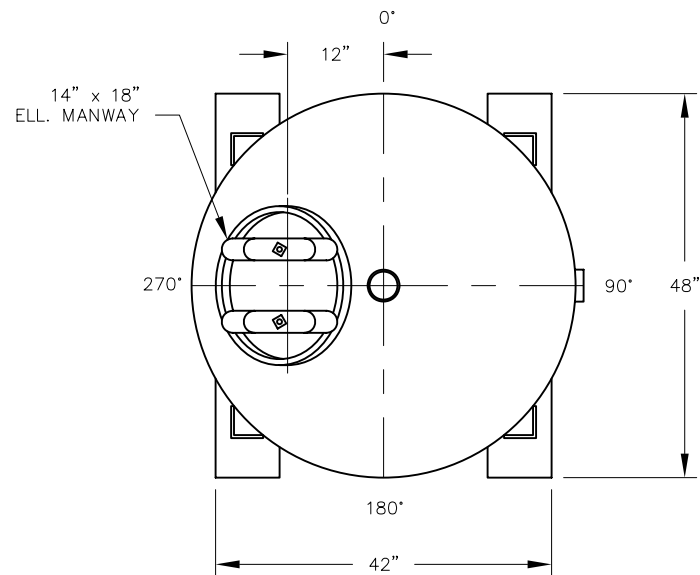


ELEVATION



PLAN

VESSEL STANDARDS

VESSEL MATERIALS : A 36 CARBON STEEL	LIQUID DRAIN ASSEMBLY : $\frac{3}{4}$ " NPT
LINING : HIGH SOLIDS EPOXY	VOLUME OF VESSEL : 80 FT ³
EXTERIOR PAINT : ACRYLIC ALKID ENAMEL	STANDARD CARBON FILL : 2000 LBS
HEAD THICKNESS : $\frac{3}{16}$ "	SHIP WT. STANDARD FILL : 3150 LBS
SHELL THICKNESS : $\frac{3}{16}$ "	CARBON TYPE : N/A
INTERNALS : PVC	MAX. OPERATING PRESSURE : 75 PSI
VESSEL ACCESS : 14" x 18" ELLIPTICAL MANWAY	MAX. OPERATING TEMPERATURE. : 130°F

NO.	REVISION	BY	DATE
PROJECT		CL-2000	
PROJ. NO.		SALES	
P.O. NO.			
<small>THIS DRAWING AND DESIGN ARE THE PROPERTY OF TIGG CORP. AND SHALL NOT BE REPRODUCED IN WHOLE OR IN PART, NOR EMPLOYED FOR ANY PURPOSE OTHER THAN SPECIFICALLY PERMITTED IN WRITING BY TIGG CORP. THIS DRAWING LOANED SUBJECT TO RETURN ON DEMAND.</small>			
DRAWN BY		JB	
DESIGN BY		BB	
CHKD. BY		BB	
DATE		4/22/08	
SCALE		NTS	
DWG. NO.			REV.
CL-2000-1001			0



PLAN & ELEVATION