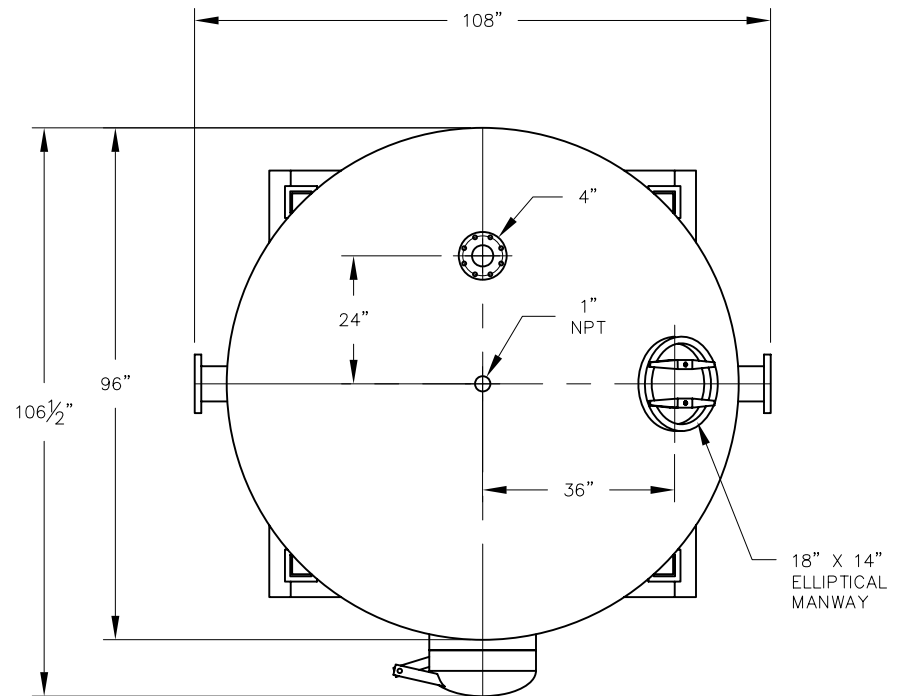



ELEVATION



PLAN

NOTE: INLET/OUTLET NOZZLES HAVE 1/2" NPT COUPLING FOR SAMPLING & PRESSURE GAUGE.  
 MAX. OPERATING PRESSURE - 100 PSI  
 MAX. MEDIA FILL - 240 FT<sup>3</sup>  
 VOLUME OF VESSEL - 310 FT<sup>3</sup>  
 EMPTY VESSEL WT. 6925 LBS

NO.		REVISION		BY DATE	
PROJECT C-500-S (RENTAL UNIT)					
					
PROJ. NO. SALES					
P.O. NO.					
<small>THIS DRAWING AND DESIGN ARE THE PROPERTY OF TIGG CORP. AND SHALL NOT BE REPRODUCED IN WHOLE OR IN PART, NOR EMPLOYED FOR ANY PURPOSE OTHER THAN SPECIFICALLY PERMITTED IN WRITING BY TIGG CORP. THIS DRAWING LOANED SUBJECT TO RETURN ON DEMAND.</small>					
DRAWN BY		JB			
DESIGN BY		BB			
CHKD. BY		BB			
DATE		11/8/05		DWG. NO. C-500-S-1001	
SCALE		NTS		REV. 0	

PLAN & ELEVATION