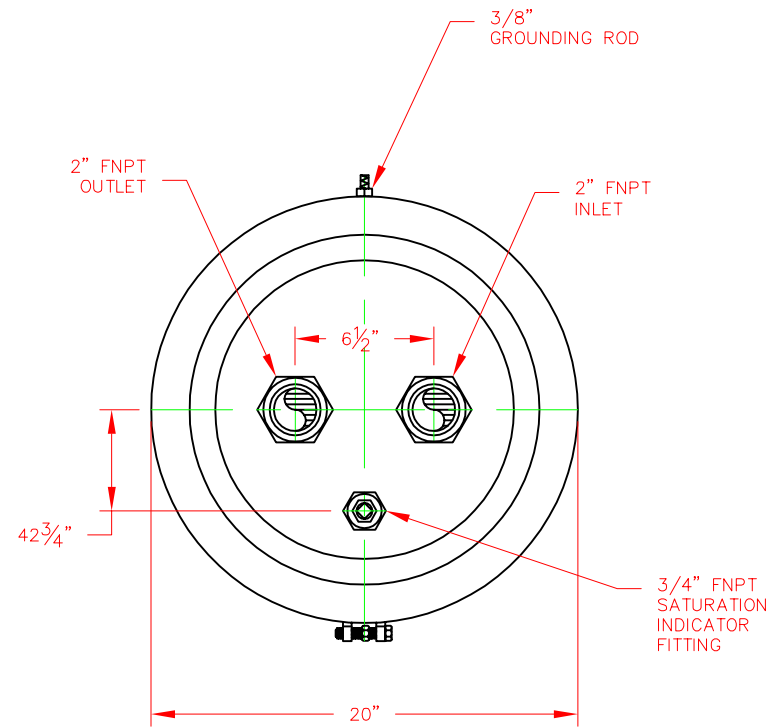




ELEVATION



PLAN

VESSEL STANDARDS

VESSEL MATERIALS : CROSS-LINKED POLYETHYLENE	APPROX. VOLUME OF VESSEL : 6 FT ³
LINING : N/A	STANDARD CARBON FILL : 110 LBS
EXTERIOR PAINT : N/A	SHIP WT. : 130 LBS
INTERNALS : SCHEDULE 40 PVC	CARBON TYPE : TIGG 5C 0410 VAPOR PHASE
ADSORBENT OUTLET ASSEMBLY : REMOVABLE LID	MAXIMUM OPERATING PRESSURE : 3 PSIG
LIQUID DRAIN ASSEMBLY : 3/4" PVC PLUG	MAX. OPERATING TEMPERATURE : 130°F

2	REVISE VESSEL STANDARDS	JB	5/24/04		
1	REVISE TITLEBLOCK	JB	6/20/03		
NO.	REVISION	BY	DATE		
PROJECT					
PROJ. NO.	SALES				
P.O. NO.					
<small>THIS DRAWING AND DESIGN ARE THE PROPERTY OF TIGG CORP. AND SHALL NOT BE REPRODUCED IN WHOLE OR IN PART, NOR EMPLOYED FOR ANY PURPOSE OTHER THAN SPECIFICALLY PERMITTED IN WRITING BY TIGG CORP. THIS DRAWING IS LOANED SUBJECT TO RETURN ON DEMAND.</small>					
DRAWN BY	ZS				
DESIGN BY	BL				
CHKD. BY	BL				
DATE	4/3/00				
SCALE	NTS	DWG. NO.	N-50-XP-1001	REV.	2