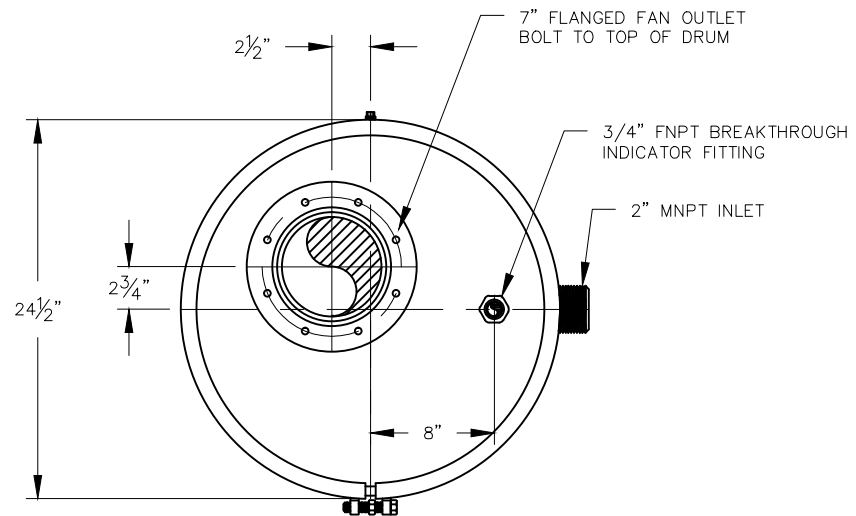


ELEVATION

* SEE PLAN VIEW FOR CORRECT DRAIN LOCATION



PLAN

2	REDUSE STANDARD CARBON FILL	JB	10/26/11
1	OFFSET FAN POSITION OFF CENTER	JB	1/26/07
NO.	REVISION	BY	DATE

PROJECT

N-100
BLOWER PACK



PROJ. NO. PLANT STANDARDS

P.O. NO.

THIS DRAWING AND DESIGN ARE THE PROPERTY OF TIGG CORP. AND SHALL NOT BE REPRODUCED IN WHOLE OR IN PART, NOR EMPLOYED FOR ANY PURPOSE OTHER THAN SPECIFICALLY PERMITTED IN WRITING BY TIGG CORP. THIS DRAWING LOANED SUBJECT TO RETURN ON DEMAND.

DRAWN BY	JB
DESIGN BY	BB
CHKD. BY	BB
DATE	4/18/06
SCALE	NTS

PLAN & ELEVATION

DWG. NO. N-100-4001 REV. 2

VESSEL STANDARDS

VESSEL MATERIALS : CARBON STEEL	VOLUME OF VESSEL : 7.5 FT ³
LINING : EPOXY PHENOLIC	STANDARD CARBON FILL : 180 LBS
EXTERIOR PAINT : ACRYLIC ALKYD ENAMEL	SHIP WEIGHT : 240 LBS
INTERNALS : STAINLESS STEEL SCREEN	MAXIMUM OPERATING PRESSURE : 6 PSIG
ADSORBENT OUTLET ASSEMBLY : REMOVABLE COVER	MAXIMUM OPERATING TEMPERATURE : 200°F
CONDENSATE DRAIN ASSEMBLY : 1/2" PLUG	