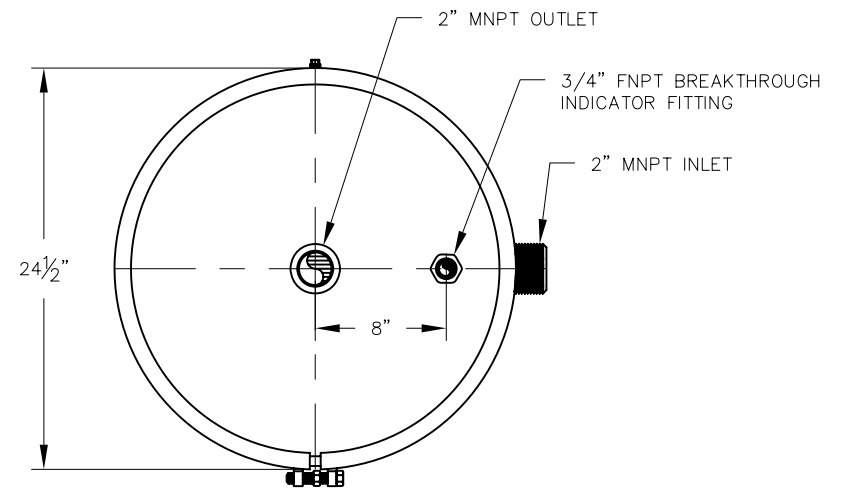


ELEVATION



PLAN

* 1/2" CONDENSATE DRAIN

2 1/4"

4"

36"

37 3/4"

2" MNPT OUTLET

3/4" FNPT BREAKTHROUGH INDICATOR FITTING

2" MNPT INLET

24 1/2"

8"

*SEE PLAN VIEW FOR CORRECT DRAIN LOCATION

VESSEL STANDARDS

VESSEL MATERIALS : CARBON STEEL	VOLUME OF VESSEL : 7.5 FT ³
LINING : EPOXY PHENOLIC	STANDARD CARBON FILL : 200 LBS
EXTERIOR PAINT : ACRYLIC ALKYD ENAMEL	SHIP WEIGHT : 260 LBS
INTERNALS : STAINLESS STEEL SCREEN	CARBON TYPE : TIGG 5C 0410 VAPOR PHASE
ADSORBENT OUTLET ASSEMBLY : REMOVABLE COVER	MAXIMUM OPERATING PRESSURE : 6 PSIG
CONDENSATE DRAIN ASSEMBLY : 1/2" PLUG	MAXIMUM OPERATING TEMPERATURE : 200°F

2	ROTATE DRAIN 90° FROM INLET	JB	1/10/06
1	GENERAL	JB	6/11/03
NO.	REVISION	BY	DATE

PROJECT	
PROJ. NO.	SALES
P.O. NO.	
THIS DRAWING AND DESIGN ARE THE PROPERTY OF TIGG CORP. AND SHALL NOT BE REPRODUCED IN WHOLE OR IN PART FOR ANY PURPOSE OTHER THAN SPECIFICALLY PERMITTED IN WRITING BY TIGG CORP. THIS DRAWING LOANED SUBJECT TO RETURN ON DEMAND.	
DRAWN BY	ZS
DESIGN BY	BL
CHKD. BY	BL
DATE	10/12/99
SCALE	NTS



N-100-DRUM

DWG. NO.	N-100-1001	REV.	2
----------	------------	------	---