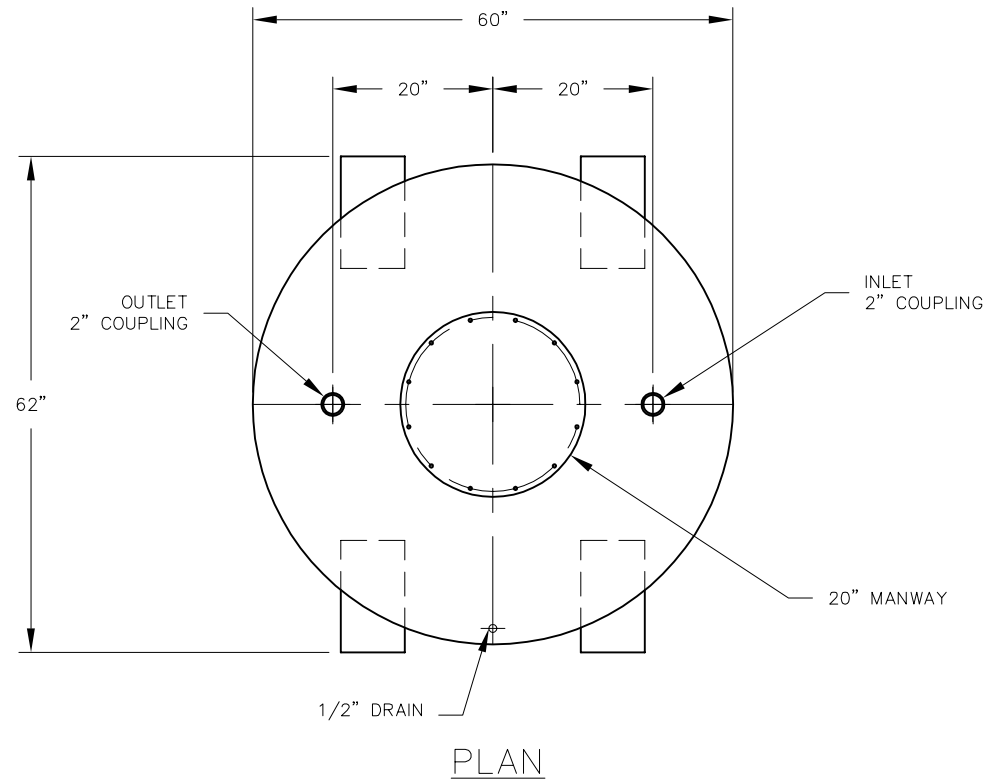



ELEVATION



PLAN

NOTE: EMPTY VESSEL WEIGHT – 1125 LBS  
 MAX. MEDIA FILL – 120 FT<sup>3</sup>  
 MAX. PRESSURE – 12 PSI

NO.		REVISION		BY	DATE
PROJECT ELP-3000					
PROJ. NO.		SALES			
P.O. NO.					
<small>THIS DRAWING AND DESIGN ARE THE PROPERTY OF TIGG CORP. AND SHALL NOT BE REPRODUCED IN WHOLE OR IN PART, NOR EMPLOYED FOR ANY PURPOSE OTHER THAN SPECIFICALLY PERMITTED IN WRITING BY TIGG CORP. THIS DRAWING LOANED SUBJECT TO RETURN ON DEMAND.</small>					
DRAWN BY		JB			
DESIGN BY		BB			
CHKD. BY		BB			
DATE		9/2/05		DWG. NO.	
SCALE		NTS		ELP-3000-1001	
					REV.
PLAN & ELEVATION					0