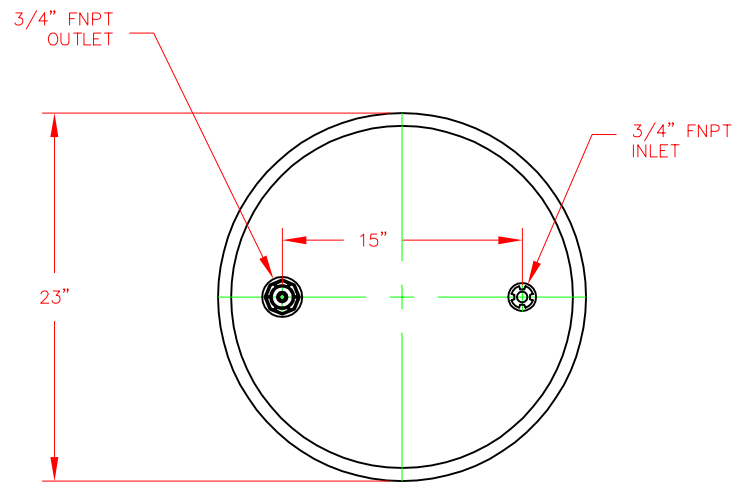



ELEVATION



PLAN

VESSEL STANDARDS

VESSEL MATERIALS : POLYETHYLENE	APPROXIMATE VOLUME OF VESSEL : 7.5 FT ³
LINING : N/A	STANDARD CARBON FILL : 150 LBS
EXTERIOR PAINT : N/A	SHIP WT./ OPERATING WT.(STD. FILL) : 175 LBS / 600 LBS
INTERNALS : STAINLESS STEEL	CARBON TYPE : TIGG 5D 1240 LIQUID PHASE
ADSORBENT OUTLET ASSEMBLY : N/A	MAXIMUM OPERATING PRESSURE : 9 PSIG
LIQUID DRAIN ASSEMBLY : N/A	MAXIMUM OPERATING TEMPERATURE : 130°F

1		REVISE TITLEBLOCK	JB	6/30/03
NO.	REVISION		BY	DATE
PROJECT		 <p>ECONOSORB L</p>		
PROJ. NO.				
SALES				
P.O. NO.				
<small>THIS DRAWING AND DESIGN ARE THE PROPERTY OF TIGG CORP. AND SHALL NOT BE REPRODUCED IN WHOLE OR IN PART NOR EMPLOYED FOR ANY PURPOSE OTHER THAN SPECIFICALLY PERMITTED IN WRITING BY TIGG CORP. THIS DRAWING LOANED SUBJECT TO RETURN ON DEMAND.</small>				
DRAWN BY	ZS			
DESIGN BY	BL			
CHKD. BY	BL			
DATE	5/1/00			
SCALE	NTS	ECONOSORB L-1001		REV. 1