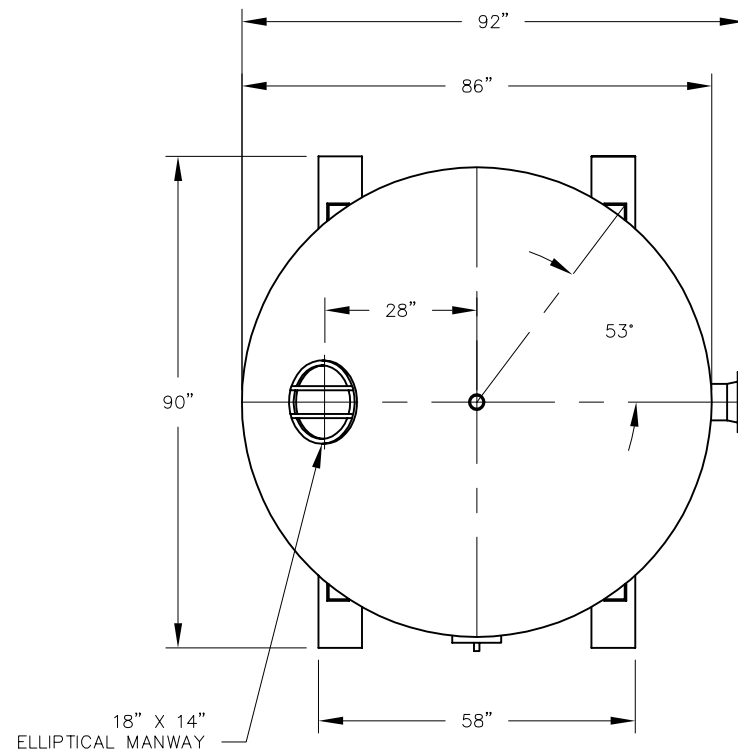


ELEVATION



PLAN

VESSEL STANDARDS

VESSEL MATERIALS : 516-70 CARBON STEEL	ADSORBENT OUTLET ASSEMBLY : 18" X 14" MANWAY
LINING : HIGH SOLIDS EPOXY	MAX. MEDIA FILL : 249 FT. ³
EXTERIOR PAINT : ACRYLIC ALKYD ENAMEL	EMPTY WT. : 3200 LBS
HEAD THICKNESS : 1/4" ASME CODE 2:1 ELLIPTICAL HEAD	MAX. OPERATING PRESSURE : 75 PSIG
SHELL THICKNESS : 1/4"	MAX. OPERATING TEMP. : 130°F
INTERNALS : PVC PIPE	

NO.	REVISION	BY	DATE
PROJECT		CP-5000	
PROJ. NO.	SALES		
P.O. NO.			
<small>THIS DRAWING AND DESIGN ARE THE PROPERTY OF TIGG CORP. AND SHALL NOT BE REPRODUCED IN WHOLE OR IN PART FOR ANY OTHER THAN SPECIFICALLY PERMITTED IN WRITING BY TIGG CORP. THIS DRAWING LOANED SUBJECT TO RETURN ON DEMAND.</small>			
DRAWN BY	JB		
DESIGN BY	BB		
CHKD. BY	BB		
DATE	11/14/05	DWG. NO.	CP-5000-1001
SCALE	NTS	REV.	0



PLAN & ELEVATION