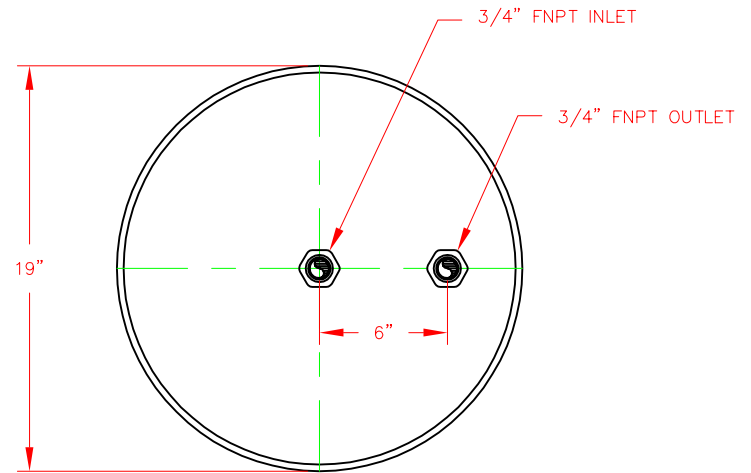


ELEVATION



PLAN

VESSEL STANDARDS

VESSEL MATERIALS : CARBON STEEL	APPROXIMATE VOLUME OF VESSEL : 4.3 FT ³
LINING : DOUBLE EPOXY / PHENOLIC	STANDARD CARBON FILL : 95 LBS
EXTERIOR PAINT : ACRYLIC WATERBORNE PRIMER & ENAMEL	SHIP WT./OPERATING WT.(STANDARD FILL) : 136 LBS / 350 LBS
INTERNALS : SCHEDULE 40 PVC	CARBON TYPE : TIGG 5D 1240 LIQUID PHASE
ADSORBENT OUTLET ASSEMBLY : N/A	MAXIMUM OPERATING PRESSURE : 15 PSIG
INTERNALS : LIQUID DRAIN ASSEMBLY : N/A	MAX. OPERATING TEMPERATURE : 130°F

1		REVISE TITLE BLOCK		JB	1/28/03
NO.	REVISION			BY	DATE
PROJECT					
STANDARD					
PROJ. NO.		SALES			
P.O. NO.					
THIS DRAWING AND DESIGN ARE THE PROPERTY OF TIGG CORP. AND SHALL NOT BE REPRODUCED IN WHOLE OR IN PART NOR EMPLOYED FOR ANY PURPOSE OTHER THAN SPECIFICALLY PERMITTED IN WRITING BY TIGG CORP. THIS DRAWING LOANED, SUBJECT TO RETURN ON DEMAND.					
DRAWN BY	ZS				
DESIGN BY	BL				
CHKD. BY	BL				
DATE	10/12/99	DWG. NO.			
SCALE	NTS	C-5-1001			REV. 1



C-5

C-5-1001