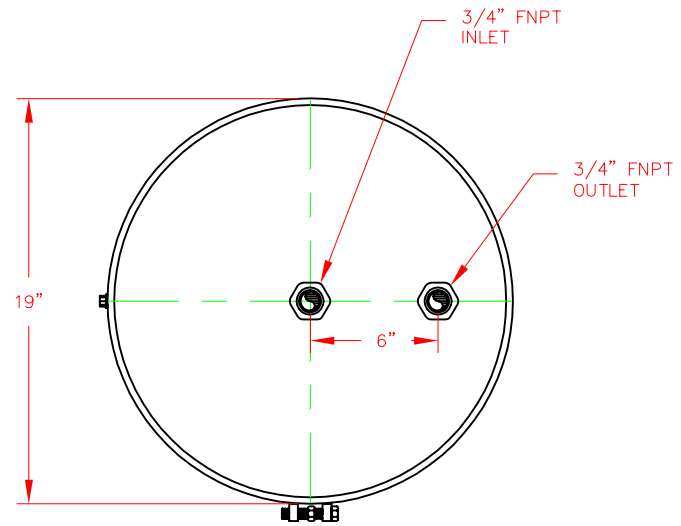


ELEVATION




PLAN

VESSEL STANDARDS

VESSEL MATERIALS : CARBON STEEL	APPROXIMATE VOLUME OF VESSEL : 4.3 FT ³
LINING : DOUBLE EPOXY / PHENOLIC	STANDARD CARBON FILL : 95 LBS
EXTERIOR PAINT : ACRYLIC ALKYD ENAMEL	SHIP WT./OPERATING WT.(STANDARD FILL) : 136 LBS / 350 LBS
INTERNALS : SCHEDULE 40 PVC	CARBON TYPE : TIGG 5D 1240 LIQUID PHASE
ADSORBENT OUTLET ASSEMBLY : REMOVABLE LID	MAXIMUM OPERATING PRESSURE : 15 PSIG
LIQUID DRAIN ASSEMBLY : 1/2" DRAIN	MAX. OPERATING TEMPERATURE : 130°F

2	DRAIN ELEVATION	JB	5/5/03
1	ADD DRAIN	JB	3/4/03
NO.	REVISION	BY	DATE

PROJECT		
STANDARD		
PROJ. NO.	SALES	
P.O. NO.		
<small>THIS DRAWING AND DESIGN ARE THE PROPERTY OF TIGG CORP. AND SHALL NOT BE REPRODUCED IN WHOLE OR IN PART NOR EMPLOYED FOR ANY PURPOSE OTHER THAN SPECIFICALLY PERMITTED IN WRITING BY TIGG CORP. THIS DRAWING LOANED, SUBJECT TO RETURN ON DEMAND.</small>		
DRAWN BY	ZS	<p>C-5-OH-DRUM</p> <p>C-5-OH-1001</p>
DESIGN BY	BB	
CHKD. BY	BB	
DATE	10/12/99	
SCALE	NTS	REV. 2