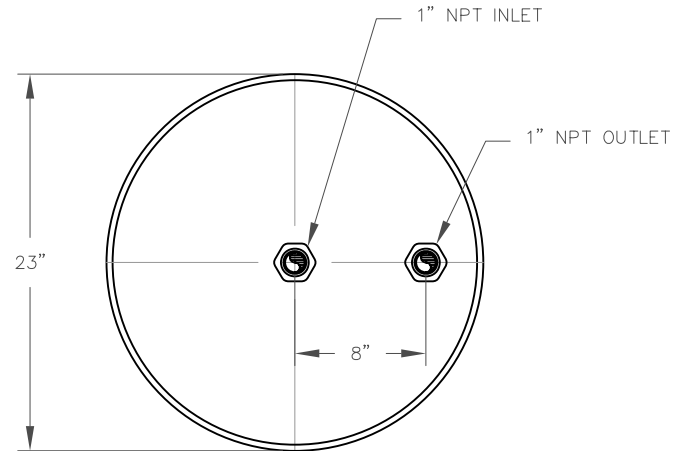


ELEVATION



PLAN

VESSEL STANDARDS

VESSEL MATERIALS : CARBON STEEL	APPROXIMATE VOLUME OF VESSEL : 7.5 FT ³
LINING : DOUBLE EPOXY / PHENOLIC	STANDARD CARBON FILL : 175 LBS
EXTERIOR PAINT : ACRYLIC ALKYD ENAMEL	SHIP WT./ OPERATING WT./ (STD. FILL) : 235 LBS / 640 LBS
INTERNALS : SCH 40 PVC	CARBON TYPE : TIGG 5D 1240 LIQUID PHASE
ADSORBENT OUTLET ASSEMBLY : N/A	MAXIMUM OPERATING PRESSURE : 15 PSIG
LIQUID DRAIN ASSEMBLY : N/A	MAXIMUM OPERATING TEMPERATURE : 130°F

1	INCREASE PRESSURE RATING		JB 6/23/06
NO.	REVISION		BY DATE
PROJECT			
C-15-SPECIAL			
PROJ. NO.		SALES	
P.O. NO.			
<small>THIS DRAWING AND DESIGN ARE THE PROPERTY OF TIGG CORP. AND SHALL NOT BE REPRODUCED IN WHOLE OR IN PART, NOR EMPLOYED FOR ANY PURPOSE OTHER THAN SPECIFICALLY PERMITTED IN WRITING BY TIGG CORP. THIS DRAWING LOANED SUBJECT TO RETURN ON DEMAND.</small>			
DRAWN BY		JB	
DESIGN BY		BB	
CHKD. BY		BB	
DATE		5/12/06	
SCALE		NTS	
		DWG. NO. C-15-1001	
		REV. 1	



PLAN & ELEVATION