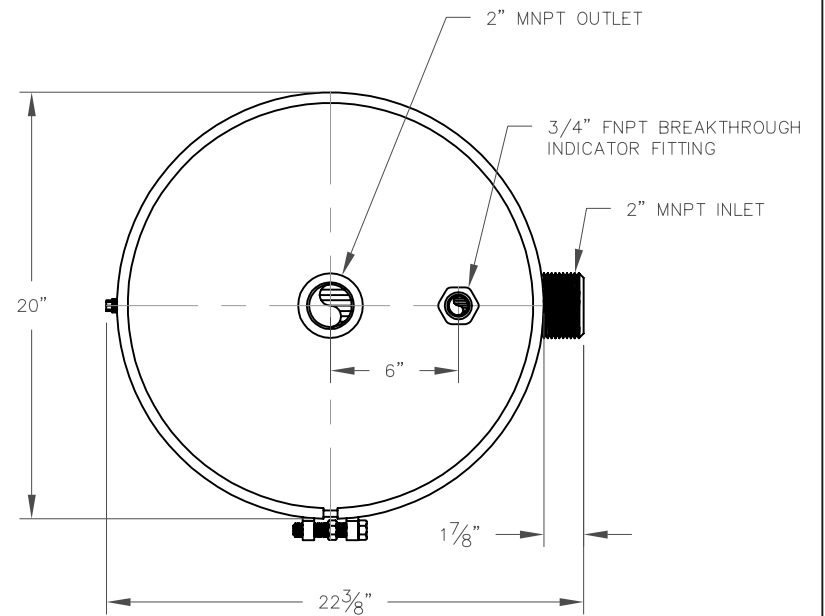


ELEVATION



PLAN

2	REVISE PRESSURE RATING	JB	1/2/07
1	GENERAL	JB	6/11/03
NO.	REVISION	BY	DATE

PROJECT

PROJ. NO. SALES

P.O. NO.

THIS DRAWING AND DESIGN ARE THE PROPERTY OF TIGG CORP. AND SHALL NOT BE REPRODUCED IN WHOLE OR IN PART, NOR EMPLOYED FOR ANY PURPOSE OTHER THAN SPECIFICALLY PERMITTED IN WRITING BY TIGG CORP. THIS DRAWING IS VOID SUBJECT TO RETURN ON DEMAND.

DRAWN BY ZS

DESIGN BY BL

CHKD. BY BL

DATE 2/22/00

SCALE NTS



N-50 DRUM

DWG. NO. N-50-1001

REV. 2

## VESSEL STANDARDS

VESEL MATERIALS : CARBON STEEL	APPROXIMATE VOLUME OF VESSEL : 4 FT <sup>3</sup>
LINING : EPOXY PHENOLIC	STANDARD CARBON FILL : 110 LBS
EXTERIOR PAINT : ACRYLIC ALKYD ENAMEL	SHIP WEIGHT : 145 LBS
INTERNALS : STAINLESS STEEL SCREEN	CARBON TYPE : TIGG 5C 0410 VAPOR PHASE
ADSORBENT OUTLET ASSEMBLY : REMOVABLE COVER	MAXIMUM OPERATING PRESSURE : 6 PSIG
CONDENSATE DRAIN ASSEMBLY : 1/2" PLUG	MAXIMUM OPERATING TEMPERATURE : 200°F