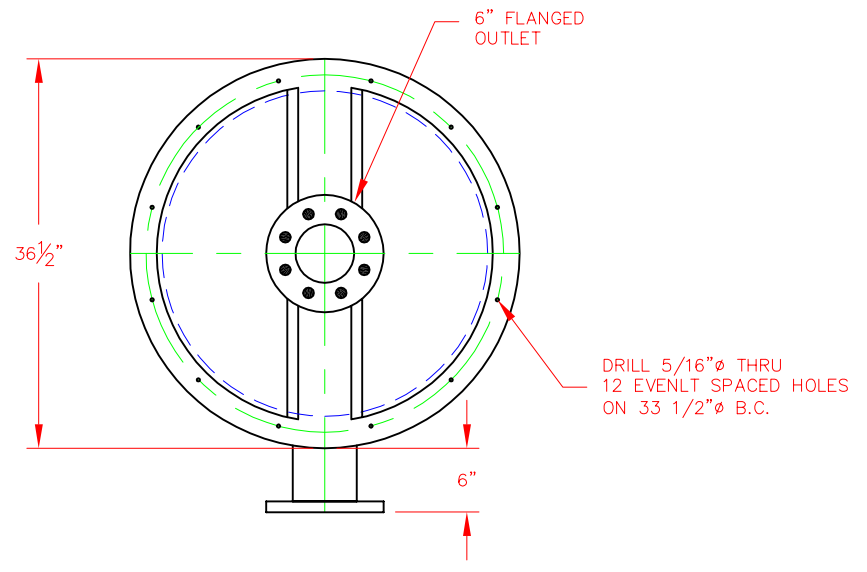


ELEVATION



PLAN

2	REVISE GROUNDING ROD HEIGHT	JB	12/15/03
1	REVISE TITLEBLOCK	JB	6/24/03
NO.	REVISION	BY	DATE

PROJECT	
PROJ. NO.	SALES
P.O. NO.	
<small>THIS DRAWING AND DESIGN ARE THE PROPERTY OF TIGG CORP. AND SHALL NOT BE REPRODUCED IN WHOLE OR IN PART, NOR EMPLOYED FOR ANY PURPOSE OTHER THAN SPECIFICALLY PERMITTED IN WRITING BY TIGG CORP. THIS DRAWING IS LOANED SUBJECT TO RETURN ON DEMAND.</small>	
DRAWN BY	ZS
DESIGN BY	BL
CHKD. BY	BL
DATE	6/24/03
SCALE	NTS

TIGG
corporation

N-400-XP

DWG. NO. N-400-XP-1001 REV. 2

VESSEL STANDARDS

VESEL MATERIALS : LINEAR DENSITY POLYETHYLENE	VOLUME OF VESSEL : 14.7 FT ³
LINING : N/A	STANDARD CARBON FILL : 400 LBS
EXTERIOR PAINT : N/A	SHIP WT. : 440 LBS
INTERNALS : POLYETHYLENE	CARBON TYPE : TIGG 5C 0410 VAPOR PHASE
ADSORBENT OUTLET ASSEMBLY : N/A	MAXIMUM OPERATING PRESSURE : ATMOSPHERE
CONDENSATE DRAIN ASSEMBLY : 1/2" FNPT W/ PLUG	MAXIMUM OPERATING TEMPERATURE : 130°F