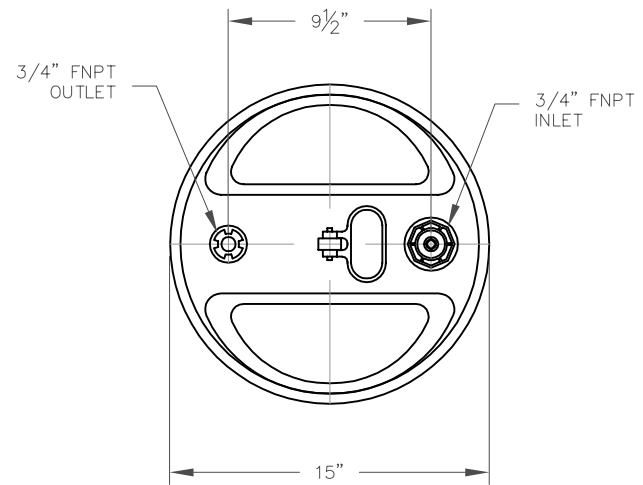


ELEVATION




PLAN

3	REVISE PRESSURE RATING	JB	1/2/07
2	REVISE VESSEL STANDARDS	JB	5/27/04
1	REVISE TITLEBLOCK	JB	6/20/03
NO.	REVISION	BY	DATE

VESSEL STANDARDS

VESSEL MATERIALS : CROSS-LINKED POLYETHYLENE	APPROX. VOLUME OF VESSEL : 2 FT ³
LINING : N/A	STANDARD CARBON FILL : 50 LBS
EXTERIOR PAINT : N/A	SHIP WT. : 60 LBS
INTERNALS : SCHEDULE 40 PVC	CARBON TYPE : TIGG 5C 0410 VAPOR PHASE
ADSORBENT OUTLET ASSEMBLY : N/A	MAXIMUM OPERATING PRESSURE : 3 PSIG
LIQUID DRAIN ASSEMBLY : N/A	MAX. OPERATING TEMPERATURE : 130°F

PROJECT		
PROJ. NO.	SALES	
P.O. NO.		
<small>THIS DRAWING AND DESIGN ARE THE PROPERTY OF TIGG CORP. AND SHALL NOT BE REPRODUCED IN WHOLE OR IN PART, NOR EMPLOYED FOR ANY PURPOSE OTHER THAN SPECIFICALLY PERMITTED IN WRITING BY TIGG CORP. THIS DRAWING LOANED, SUBJECT TO RETURN ON DEMAND.</small>		
DRAWN BY	ZS	<p>N-20-XP</p> <p>DWG. NO. N-20-XP-1001</p> <p>REV. 3</p>
DESIGN BY	BL	
CHKD. BY	BL	
DATE	10/12/99	
SCALE	NTS	