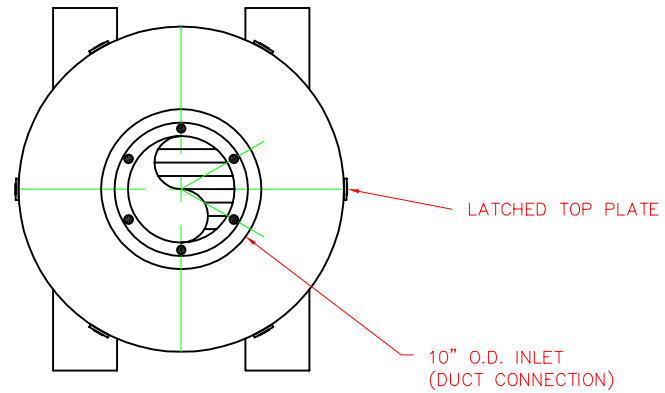
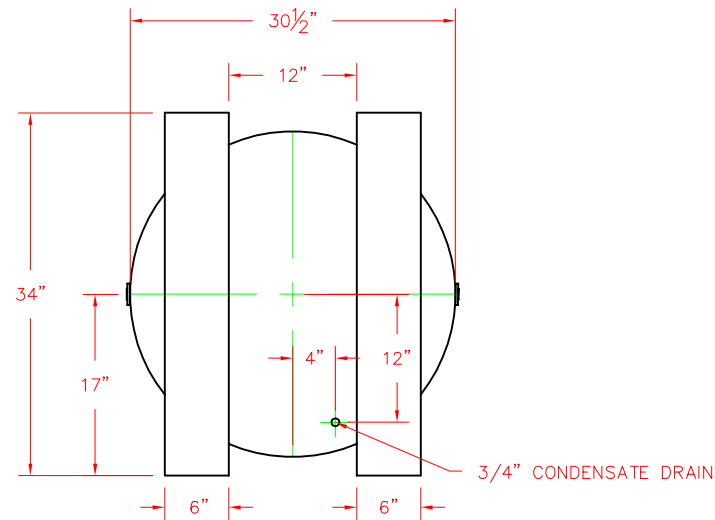


ELEVATION



TOP



BOTTOM

VESSEL STANDARDS

VESSEL MATERIALS : CARBON STEEL	LIQUID DRAIN ASSEMBLY : 3/4" WITH DRAIN
LINING : HIGH SOLIDS EPOXY	CARBON VOLUME : 10.7 FT ³
EXTERIOR PAINT : HIGH SOLIDS EPOXY	CARBON FILL : 300 LBS
HEAD THICKNESS : 10 GA.	OPERATING WT.STD.FILL : 537 LBS
BOTTOM PLATE THICKNESS : 10 GA.	CARBON TYPE : TIGG 5C 0410 VAPOR PHASE
INTERNALS : PLENUM	MAX. OPERATING PRESSURE : N/A
ADSORBENT OUTLET ASSEMBLY : LATCHED TOP PLATE	MAX. OPERATING TEMP. : 150°F

NO.	REVISION	BY	DATE
PROJECT			
PROJ. NO.	SALES		
<small>THIS DRAWING AND DESIGN ARE THE PROPERTY OF TIGG CORP. AND SHALL NOT BE REPRODUCED IN WHOLE OR IN PART NOR EMPLOYED FOR ANY PURPOSE OTHER THAN SPECIFICALLY PERMITTED IN WRITING BY TIGG CORP. THIS DRAWING LOANED SUBJECT TO RETURN ON DEMAND.</small>			
DRAWN BY	JB		
DESIGN BY	BL		
CHKD. BY	BL		
DATE	11/19/02		
SCALE	NTS		
DWG. NO. N-1500-1001		REV. 0	



N-1500