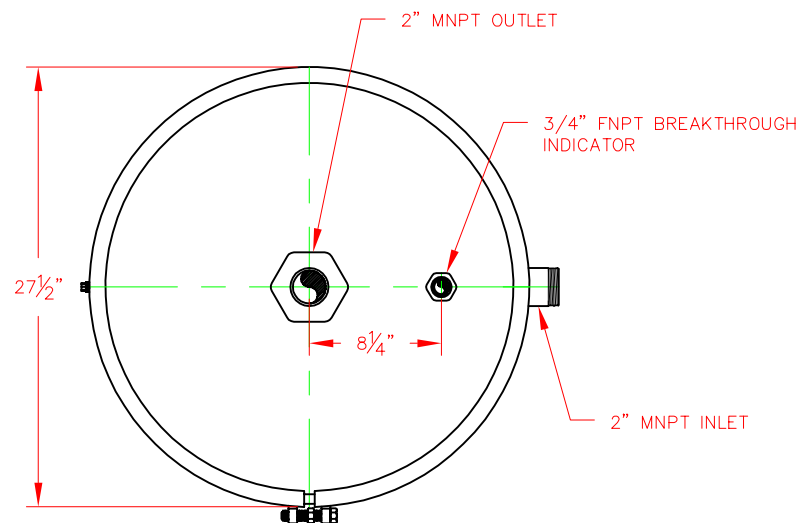


ELEVATION



PLAN

## VESSEL STANDARDS

VESEL MATERIALS : CARBON STEEL	APPROXIMATE VOLUME OF VESSEL : 12 FT. <sup>3</sup>
LINING : EPOXY PHENOLIC	STANDARD CARBON FILL : 300 LBS
EXTERIOR PAINT : ACRYLIC WATERBORNE PRIMER & ENAMEL	SHIP WT. : 391 LBS
INTERNALS : PLENUM	CARBON TYPE : TIGG 5C 0410 VAPOR PHASE
ADSORBENT OUTLET ASSEMBLY : REMOVABLE COVER	MAXIMUM OPERATING PRESSURE : 6 PSIG
CONDENSATE DRAIN ASSEMBLY : 1/2" PLUG	MAXIMUM OPERATING TEMPERATURE : 200°F

1		REVISE TITLE BLOCK	JB	2/10/03
NO.		REVISION	BY	DATE
PROJECT				
PROJ. NO.		SALES		
P.O. NO.				
<small>THIS DRAWING AND DESIGN ARE THE PROPERTY OF TIGG CORP. AND SHALL NOT BE REPRODUCED IN WHOLE OR IN PART, NOR EMPLOYED FOR ANY PURPOSE OTHER THAN SPECIFICALLY PERMITTED IN WRITING BY TIGG CORP. THIS DRAWING IS SUBJECT TO REVISION ON DEMAND.</small>				
DRAWN BY	ZS			
DESIGN BY	BL			
CHKD. BY	BL			
DATE	10/12/99	DWG. NO.		
SCALE	NTS	N-150-1001		REV. 1



N-150

N-150-1001