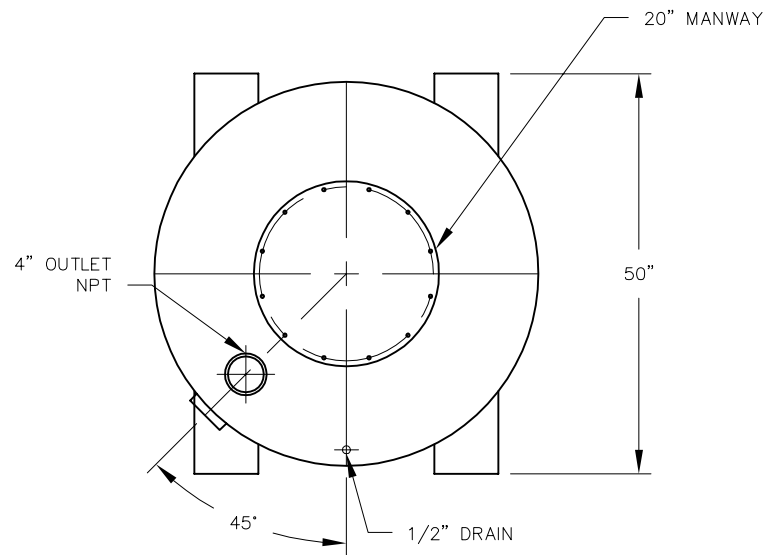



ELEVATION



PLAN

NOTE: EMPTY VESSEL WEIGHT – 830 LBS  
 MAX. MEDIA FILL – 70 FT<sup>3</sup>  
 MAX. PRESSURE – 1 PSI

2	REVISE PRESSURE RATING TO 1 PSI	JB	4/13/07
1	REVISE TO TIGG FABRICATED HEADS	JB	3/15/07
NO.	REVISION	BY	DATE
PROJECT		EVP-2000	
PROJ. NO.	SALES		
P.O. NO.			
<small>THIS DRAWING AND DESIGN ARE THE PROPERTY OF TIGG CORP. AND SHALL NOT BE REPRODUCED IN WHOLE OR IN PART, NOR EMPLOYED FOR ANY PURPOSE OTHER THAN SPECIFICALLY PERMITTED IN WRITING BY TIGG CORP. THIS DRAWING LOANED SUBJECT TO RETURN ON DEMAND.</small>			
DRAWN BY	JB	PLAN & ELEVATION DWG. NO. EVP-2000-1001 REV. 2	
DESIGN BY	BB		
CHKD. BY	BB		
DATE	11/10/05		
SCALE	NTS		